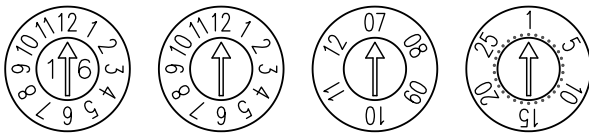
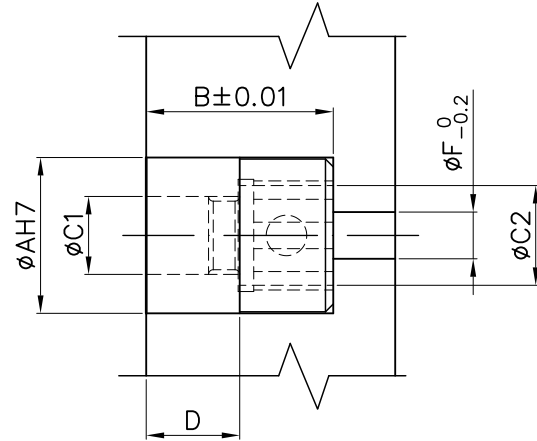
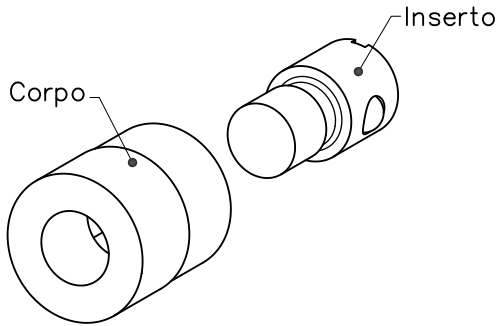


# DATARI A SFERA PER PLASTICA E PRESSOFUSIONE

## Date stamps for plastics and die-casting

Datari per stampi ad iniezione e pressofusione, costruiti in acciaio 1.2083 rettificati e temperati 48/50 HRC

Date stamps for injection and die-casting moulds, They are completely made in ground and hardened 1.2083 steel with 48/50 HRC



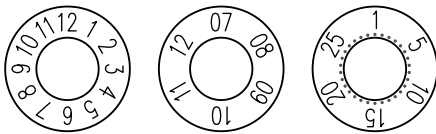
DATARIO			Date stamp	
φ6	FDMA06	FDMF06	FDAF06	
φ8	FDMA08	FDMF08	FDAF08	
φ10	FDMA10	FDMF10	FDAF10	FDG10
φ12	FDMA12	FDMF12	FDAF12	FDG12
φ16	FDMA16	FDMF16	FDAF16	FDG16
φ20	FDMA20	FDMF20	FDAF20	FDG20

⚠ *	φ32	FDMA32	FDMF32	FDAF32	FDG32
-----	-----	--------	--------	--------	-------

Corpo		Inserto			
φA	B	φC1	φC2	D	φF
φ6	8	2.8	4.1	4	2
φ8	10	4	5.4	5.2	2.5
φ10	12	5	6.4	6	3.5
φ12	12	7	8.7	6	4.5
φ16	14	9	11.9	7	6
φ20	16	10.5	13.9	8	8

⚠ *	φ32	28	18	23.8	14	16
-----	-----	----	----	------	----	----

\* : SERIE φ32 AD ESAURIMENTO



CORPO		Body	
φ6	RCM06	RCA06	
φ8	RCM08	RCA08	
φ10	RCM10	RCA10	RCG10
φ12	RCM12	RCA12	RCG12
φ16	RCM16	RCA16	RCG16
φ20	RCM20	RCA20	RCG20

⚠ *	φ32	RCM32	RCA32	RCG32
-----	-----	-------	-------	-------



INSERTO		Insert	
φ6	RIA06	RIF06	
φ8	RIA08	RIF08	
φ10	RIA10	RIF10	
φ12	RIA12	RIF12	
φ16	RIA16	RIF16	
φ20	RIA20	RIF20	

⚠ *	φ32	RIA32	RIF32
-----	-----	-------	-------

Su ordinazione possono essere forniti datari neutri non temperati e versioni speciali  
Neutral untempered date stamps and on request special versions can be supplied