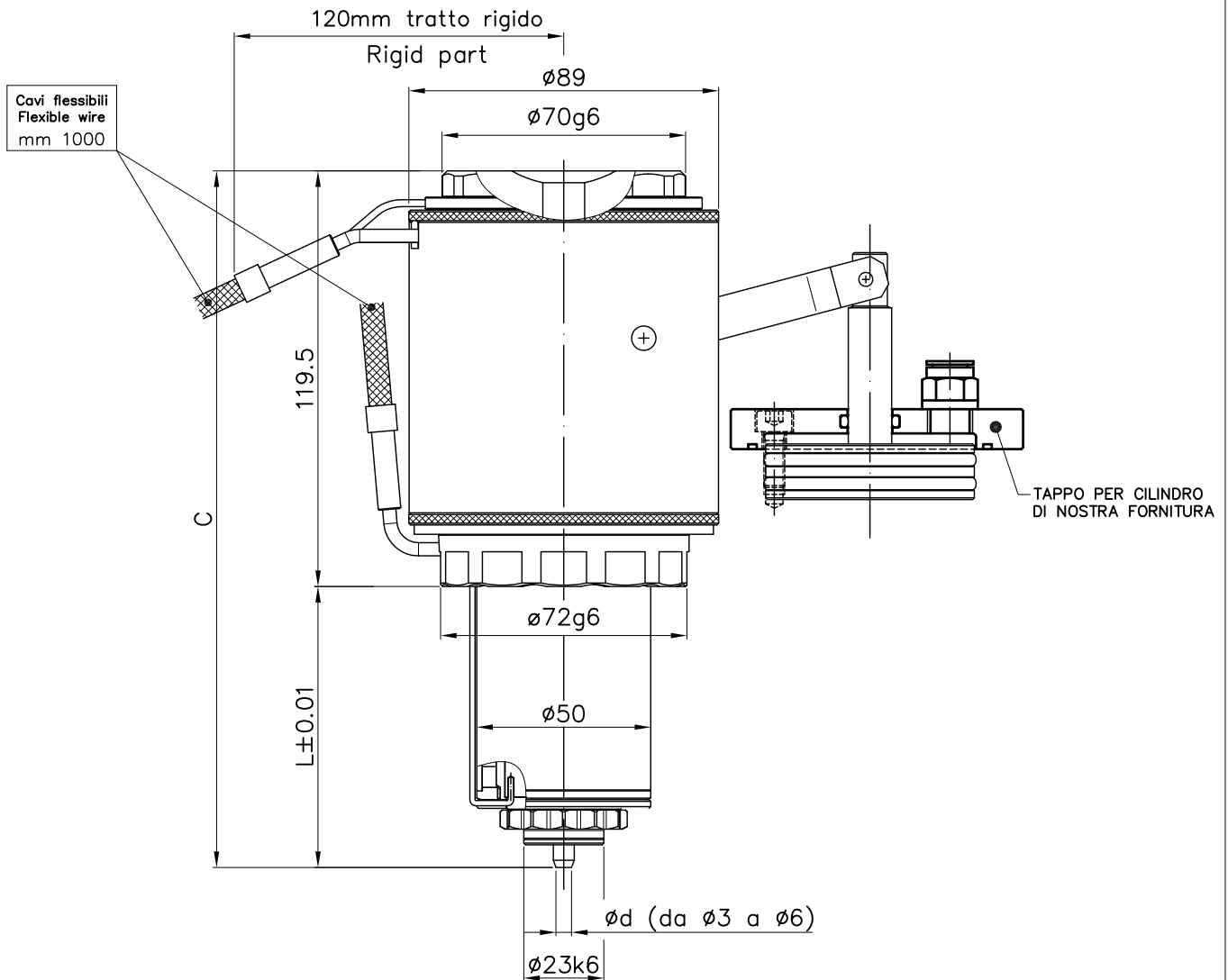


1.DPO80DC..T SINGOLO

SINGLE

CODICE INIETTORE Nozzle code	L ±0.01	C
1080DC081T	74.25	193.75
1080DC101T	94.19	213.69
1080DC161T	154.02	273.52
1080DC221T	213.85	333.35

ΔT = ALLUNGAMENTO TERMICO Heat extension					
L±0.01	175°	200°	225°	250°	300°
74.25	0.22	0.25	0.29	0.32	0.38
94.15	0.27	0.31	0.35	0.39	0.47
154.02	0.42	0.48	0.54	0.60	0.72
213.85	0.56	0.65	0.73	0.81	0.97



RICAMBI		Spare part			
CODICE INIETTORE Nozzle code	1 PUNZONE Valve pin	2 RAME STABILIZZATORE Copper stabilizer	3 RICOPERTURA Sheathing	4 CORPO INFERIORE Lower body	5 TERMOCOPPIA Thermocouple
1080DC081T	Z080DC081	RS080DC081	R080DC081	C1080DC081	TE080DC081
1080DC101T	Z080DC101	RS080DC101	R080DC101	C1080DC101	TE080DC101
1080DC161T	Z080DC161	RS080DC161	R080DC161	C1080DC161	TE080DC161
1080DC221T	Z080DC221	RS080DC221	R080DC221	C1080DC221	TE080DC221

Rev. 00



